



# ARP-3821AX

NEMA 4X / IP66 Waterproof Panel PC with 21.5-inch PCAP Touch Screen



## Features

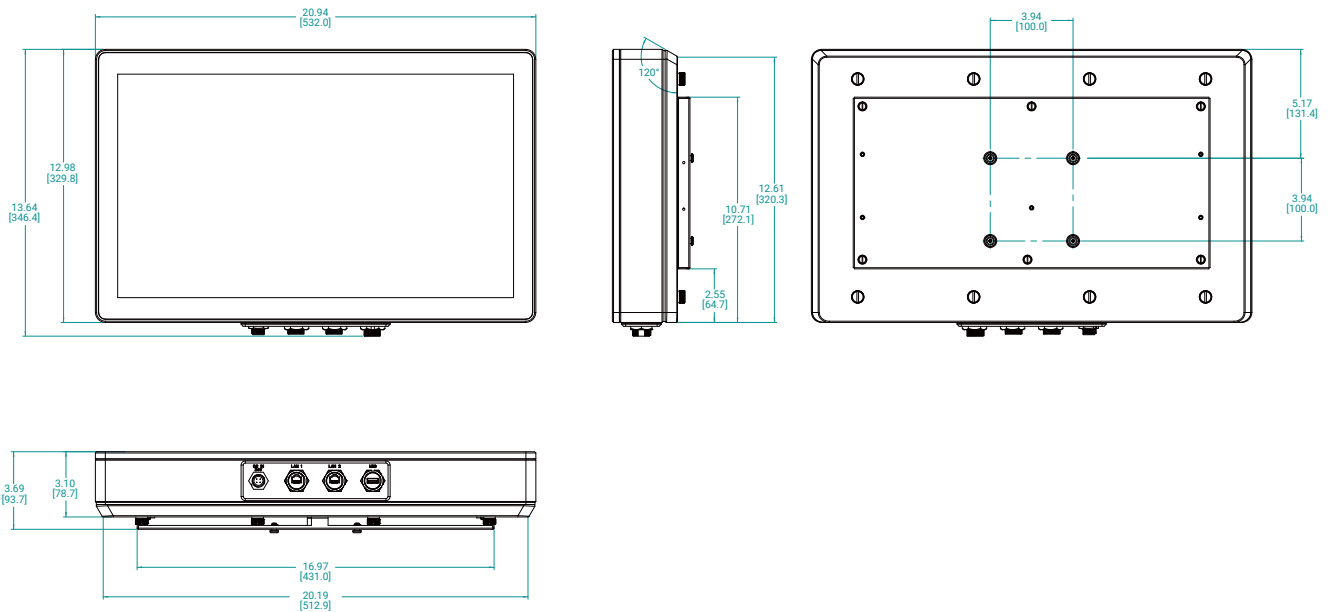
- 21.5" LCD, 1920 x 1080 Resolution
- Projected Capacitive Touch
- Stainless Steel Enclosure
- Meets NEMA 4X / IP66 requirements
- Intel Celeron J1900 @ 1.99GHz / Atom E3845 @ 1.91GHz CPU; Intel i7-6600U CPU
- Up to 8GB DDR3/ Up to 16GB DDR4 SO-DIMM
- 1x Gigabit Ethernet
- 2x USB 2.0 ports
- Optional 2.5" SSD
- Wi-Fi Connectivity (Optional)
- 24VDC Operating Voltage

## Specifications

Model Name	ARP-3821AX	
	E01	H01
<b>LCD Display</b>		
Display Size	21.5 inch	21.5 inch
Max Resolution	1920 x 1080	1920 x 1080
Backlight Lifetime	50,000 hours	50,000 hours
<b>Visual Characteristics</b>		
Colors	16.7 million	16.7 million
Aspect Ratio	16:9	16:9
Viewing Angle (V/H)	178° / 178°	178° / 178°
Contrast Ratio	1000 : 1	1000 : 1
Brightness	250 nits	250 nits
<b>Touchscreen</b>		
Technology	Projected Capacitive	Projected Capacitive
Interface	USB	USB
Driver	Windows 7, Windows 10	Windows 7, Windows 10
<b>Enclosure</b>		
NEMA 4	N/A	N/A
NEMA 4x	Stainless Steel 316L	Stainless Steel 316L
<b>System</b>		
CPU	Intel Celeron J1900 @ 1.99GHz / Atom E3845 @ 1.91GHz CPU	3.4 GHz i7-6600U
Chipset	Bay Trail	By CPU
Memory	Up to 8GB DDR3L SO-DIMM	Up to 16GB DDR4 SO-DIMM
Video Controller	Intel Gen7 Intel Graphics DX 11, OGL3.2	Intel HD Graphics 520
External Video Output	N/A	N/A
Storage Option	2.5" SSD	2.5" SSD
Compact Flash	N/A	N/A
Keyboard / Mouse	USB	USB
Audio	N/A	N/A
Watchdog Timer	Programmable 1 - 255 sec	Programmable 1 - 255 sec
Remote Boot	ThinManager Ready, PXE	N/A
Expansion Slot	N/A	N/A
<b>I/O Communication</b>		
USB Port	2 x USB 2.0	2 x USB 2.0
Serial Port	N/A	N/A
IEEE 1394	N/A	N/A
LAN	1 x Gigabit	1 x Gigabit
Parallel	N/A	N/A
GPIO	N/A	N/A
<b>Smart Battery</b>		
External Smart Battery	N/A	N/A
<b>OS Support</b>		
OS Support	Windows 7, Windows 10	Windows 7, Windows 10
<b>Power/Thermal Specs</b>		
Power Requirement (Max)	24VDC / 1.58A	24VDC / 2.2A
Power Consumption (Max)	38 W	51W
Recommended Power Supply	55 W	75W
Heat Dissipation	130 BTU/hr	174 BTU/hr
<b>Physical Information</b>		
Mounting	Pedestal, VESA, Wall mount, Benchtop	Pedestal, VESA, Wall and Ceiling mount, Benchtop
Net Weight	27 Lbs / 12.25 Kg	27 Lbs / 12.25 Kg
Dimension (W x H x D)	20.94 x 13.64 x 3.69 inch 532.0 x 346.4 x 93.7 mm	20.94 x 13.64 x 3.69 inch 532.0 x 346.4 x 93.7 mm
Recommended Cutout Dimension (WxH)	N/A	N/A
IP/NEMA Rating	Meets NEMA 4X / IP66	Meets NEMA 4X / IP66
Certification	UL60950	UL60950
<b>Environmental</b>		
Operating Temperature	0~50°C (32~122°F)	0~50°C (32~122°F)
Storage Temperature	-20~60°C (-4~140°F)	-20~60°C (-4~140°F)
Relative Humidity	0~95%	0~95%

## Dimension Drawing

ARP-3821AX-E01  
 ARP-3821AX-H01  
 Size Unit: inch(mm)



## Ordering Information

Item	ARP-3821AX-E01-006	
LCD Display	21.5" LCD / 1920 x 1080	
Touch Screen	Projected Capacitive	
Enclosure	Stainless Steel	
CPU	Intel Celeron J1900 @ 1.99GHz / Atom E3845 @ 1.91GHz CPU	
Memory	4GB DDR3	
Storage	N/A	
Remote Boot	ThinManager Ready	
Power Supply	24VDC INPUT	

Item	ARP-3821AX-H01-034-700	ARP-3821AX-H01-035-700
LCD Display	21.5" LCD / 1920 x 1080	21.5" LCD / 1920 x 1080
Touch Screen	Projected Capacitive	Projected Capacitive
Enclosure	Stainless Steel	Stainless Steel
CPU	Intel 2.6/3.4 GHz i7-6600U	Intel 2.6/3.4 GHz i7-6600U
Memory	16GB DDR4	16GB DDR4
Storage	2.5" SSD	2.5" SSD
Remote Boot	N/A	N/A
Power Supply	24VDC INPUT	DIN-Rail Power Supply